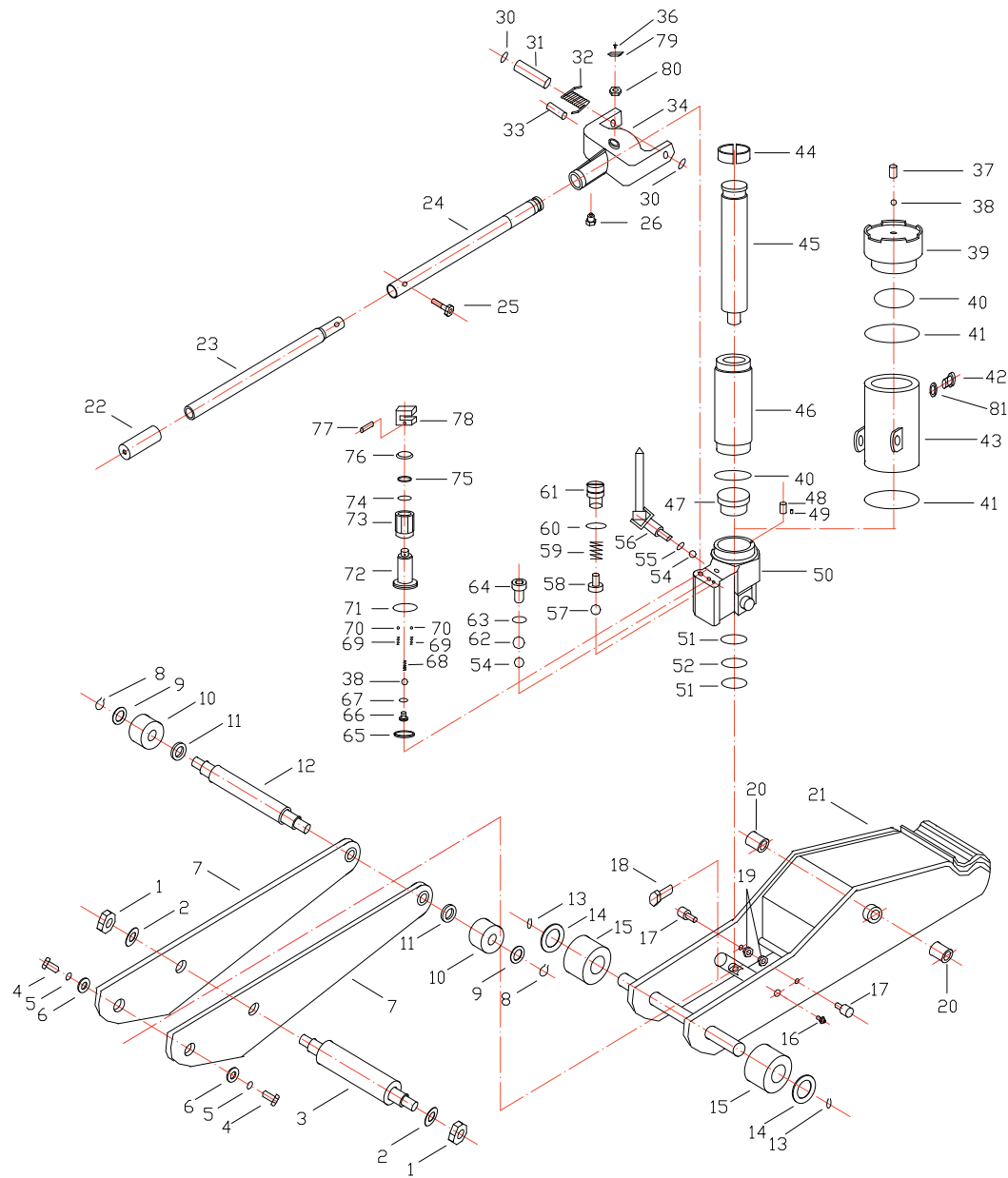


Art. 160.1050



**Art. 160.1050**

Part. No	Art.-Nr.	Beschreibung	Description	Menge Qty.
1	160.1050-R001P	Mutter	Nut	2
2	160.1050-R002P	Unterlegscheibe	Washer	2
3	160.1050-R003P	Bolzen	Shaft Axle	1
4	160.1050-R004P	Schraube	Screw	2
5	160.1050-R005P	Unterlegscheibe	Washer	2
6	160.1050-R006P	Unterlegscheibe	Plates	2
7	160.1050-R007P	Rahmen für Hubarm	Side Plates	2
8	160.1050-R008P	Sicherungsring	Snap Ring	2
9	160.1050-R009P	Unterlegscheibe	Washer	2
10	160.1050-R010P	Vordere Rolle	Front Wheel	2
11	160.1050-R011P	Mutter	Nut	2
12	160.1050-R012P	Achse	Axle	1
13	160.1050-R013P	Sicherungsring	Snap Ring	2
14	160.1050-R014P	Unterlegscheibe	Washer	2
15	160.1050-R015P	Lenkrolle	Rear Wheel	2
16	160.1050-R016P	Schmiernippel	Crease Fitting	2
17	160.1050-R017P	Schraube	Screw	2
18	160.1050-R018P	Schraube	Screw	1
19	160.1050-R019P	Mutter	Nut	2
20	160.1050-R020P	Unterlegscheibe	Spacer	2
21	160.1050-R021P	Hubarm	Lifting Arm Assembly	1
22	160.1050-R022P	Handgriff	Handle Grip	1
23	160.1050-R023P	Handgriff	Handle	1
24	160.1050-R024P	Handgriff	Handle	1
25	160.1050-R025P	Schraube	Screw	1
26	160.1050-R026P	Schraube	Screw	1
30	160.1050-R027P	Sicherungsring	Snap Ring	2
31	160.1050-R028P	Achse	Axle	1
32	160.1050-R029P	Feder	Retaining Spring	1
33	160.1050-R030P	Bolzen	Pin	1
34	160.1050-R031P	Aufnahme für Lenkstange	Socket	1
36	160.1050-R032P	Schraube	Screw	1
37	160.1050-R033P	Schraube	Screw	2
38	160.1050-R034P	Stahlkugel	Ball	2
39	160.1050-R035P	Aufnameteller	Cylinder Nut	1
40	160.1050-R036P	O-Ring	O-Ring	2
41	160.1050-R037P	O-Ring	O-Ring	2
42	160.1050-R038P	Schraube	Screw	1
43	160.1050-R039P	Außen Zylinder	Reservoir	1

Part. No	Art.-Nr.	Beschreibung	Description	Menge Qty.
44	160.1050-R040P	Lager für vordere Rolle	Bushing	1
45	160.1050-R041P	Kolben	Piston Rod	1
46	160.1050-R042P	Zylinder	Cylinder	1
47	160.1050-R043P	Unterlegscheibe	Spacer	1
48	160.1050-R044P	Filter	Filter	1
49	160.1050-R045P	Magnet	Magnet Steel	1
50	160.1050-R046P	Ventilblock	Valve Block	1
51	160.1050-R047P	O-Ring	O-Ring	2
52	160.1050-R048P	Nylon Ring	Nylon Washer	1
54	160.1050-R049P	Stahlkugel	Ball	2
55	160.1050-R050P	Dichtring	Square-Type Ring	1
56	160.1050-R051P	Kardangelenk	Linking Axle	1
57	160.1050-R052P	Stahlkugel	Ball	1
58	160.1050-R053P	Ventilteller	Seat	1
59	160.1050-R054P	Feder	Spring	1
60	160.1050-R055P	O-Ring	O-Ring	1
61	160.1050-R056P	Schraube	Screw	1
62	160.1050-R057P	Stahlkugel	Ball	1
63	160.1050-R058P	Dichtung	Gasket	1
64	160.1050-R059P	Schraube	Screw	1
65	160.1050-R060P	Dichtung	Gasket	1
66	160.1050-R061P	Schraube	Screw	1
67	160.1050-R062P	O-Ring	O-Ring	1
68	160.1050-R063P	Feder	Spring	1
69	160.1050-R064P	Feder	Spring	2
70	160.1050-R065P	Stahlkugel	Ball	2
71	160.1050-R066P	O-Ring	O-Ring	1
72	160.1050-R067P	Pumpkolben	Plunger	1
73	160.1050-R068P	Pumpzylinder	Pump	1
74	160.1050-R069P	O-Ring	O-Ring	1
75	160.1050-R070P	Dichtung	Back-Up Ring	1
76	160.1050-R071P	Abstreifring	Wiper	1
77	160.1050-R072P	Bolzen	Pin	1
78	160.1050-R073P	Pumpkolbenaufnahme	Guide	1
79	160.1050-R074P	Positionierer	Positioner	1
80	160.1050-R075P	Mutter	Nut	1
81	160.1050-R076P	Dichtung	Plug	1