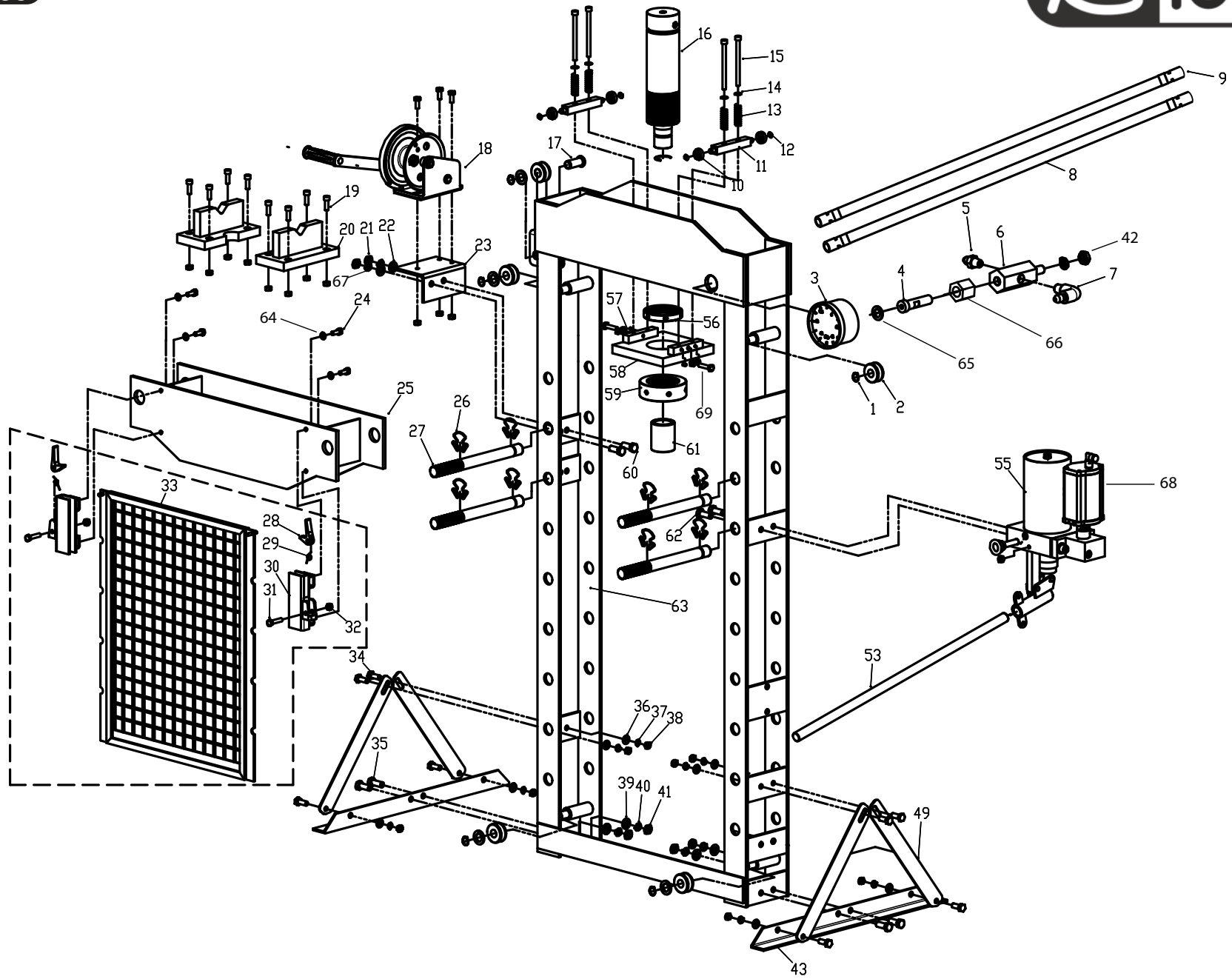


Art. 160.1155

KSTOOLS®



Art. 160.1155

Part. No	Art.-Nr.	Beschreibung	Description	Menge Qty.
1	160.1155-R001P	Sicherungsring	Gasket ring	5
2	160.1155-R002P	Kugellager	Roller A	5
3	160.1155-R003P	Manometer	Pressure gage	1
4	160.1155-R004P	Adapter für Manometer	Pressure gage connector	1
5	160.1155-R005P	Winkelanschluss	Angle coupling	2
6	160.1155-R006P	Adapter	Hexagon coupling	1
7	160.1155-R007P	90° Winkeladapter	Elbow connection	2
8	160.1155-R008P	Schlauch	Hose A	1
9	160.1155-R009P	Schlauch	Hose B	1
10	160.1155-R010P	Kugellager	Deep groove ball bearing	4
11	160.1155-R011P	Schlitten	Bloom	2
12	160.1155-R012P	Sicherungsring	Gasket ring	4
13	160.1155-R013P	Feder	Pressure spring	4
14	160.1155-R014P	Unterlegscheibe	Washer	4
15	160.1155-R015P	Schraube	Screw	4
16	160.1155-R016P	Hydraulikkolben	Cylinder assembly	1
17	160.1155-R017P	Bolzen	Pin	1
18	160.1155-R018P	Seilzug	Winch component	1
19	160.1155-R019P	Schraube	Screw	8
20	160.1155-R020P	Aufnahme	Support plate	2
21	160.1155-R021P	Mutter	Nut	6
22	160.1155-R022P	Unterlegscheibe	Washer	9
23	160.1155-R023P	Seilzug Halterung	Winch mounting plate	1
24	160.1155-R024P	Bolzen	Bolt	4
25	160.1155-R025P	Teleskoparm	Movable beam	1
26	160.1155-R026P	Sicherungsring	Locating circlip	8
27	160.1155-R027P	Bolzen	Pin	4
28	160.1155-R028P	Hebel	Shift fork	2
29	160.1155-R029P	Feder	Torsional spring	2
30	160.1155-R030P	Halter für Sicherheitsgitter	Guard plate guide parts	2
31	160.1155-R031P	Bolzen	Bolt	2
32	160.1155-R032P	Mutter	Nut	2

Part. No	Art.-Nr.	Beschreibung	Description	Menge Qty.
33	160.1155-R033P	Sicherheitsgitter	Protect Guard	1
34	160.1155-R034P	Bolzen	Bolt	8
35	160.1155-R035P	Bolzen	Bolt	4
36	160.1155-R036P	Unterlegscheibe	Washer	8
37	160.1155-R037P	Unterlegscheibe	Washer	8
38	160.1155-R038P	Mutter	Nut	8
39	160.1155-R039P	Unterlegscheibe	Washer	4
40	160.1155-R040P	Unterlegscheibe	Washer	4
41	160.1155-R041P	Mutter	Nut	4
42	160.1155-R042P	Mutter	Nut	3
43	160.1155-R043P	Standfussplatte	Foot base	2
46	160.1155-R046P	Mutter	Nut	1
49	160.1155-R049P	Standstrebe	Pull rod	4
53	160.1155-R053P	Handgriff	Handle	1
55	160.1155-R055P	Hydraulikeinheit	Hydraulic power unit	1
56	160.1155-R056P	Befestigungsmutter	Nut A	1
57	160.1155-R057P	Schraube	Screw	4
58	160.1155-R058P	Halterung für Hydraulikkolben	Cylinder mounting component	1
59	160.1155-R059P	Befestigungsmutter	Nut B	1
60	160.1155-R060P	Bolzen	Bolt	2
61	160.1155-R061P	Schutzhülse	Piston rod sleeve	1
62	160.1155-R062P	Bolzen	Bolt	2
63	160.1155-R063P	Rahmen	Frame assembly	1
64	160.1155-R064P	Unterlegscheibe	Washer	4
65	160.1155-R065P	Unterlegscheibe	Washer	1
66	160.1155-R066P	Mutter	Nut	1
67	160.1155-R067P	Unterlegscheibe	Washer	6
68	160.1155-R068P	Luftschlauchleitung	Air hose assembly	1
69	160.1155-R069P	Bolzen	Bolt	3