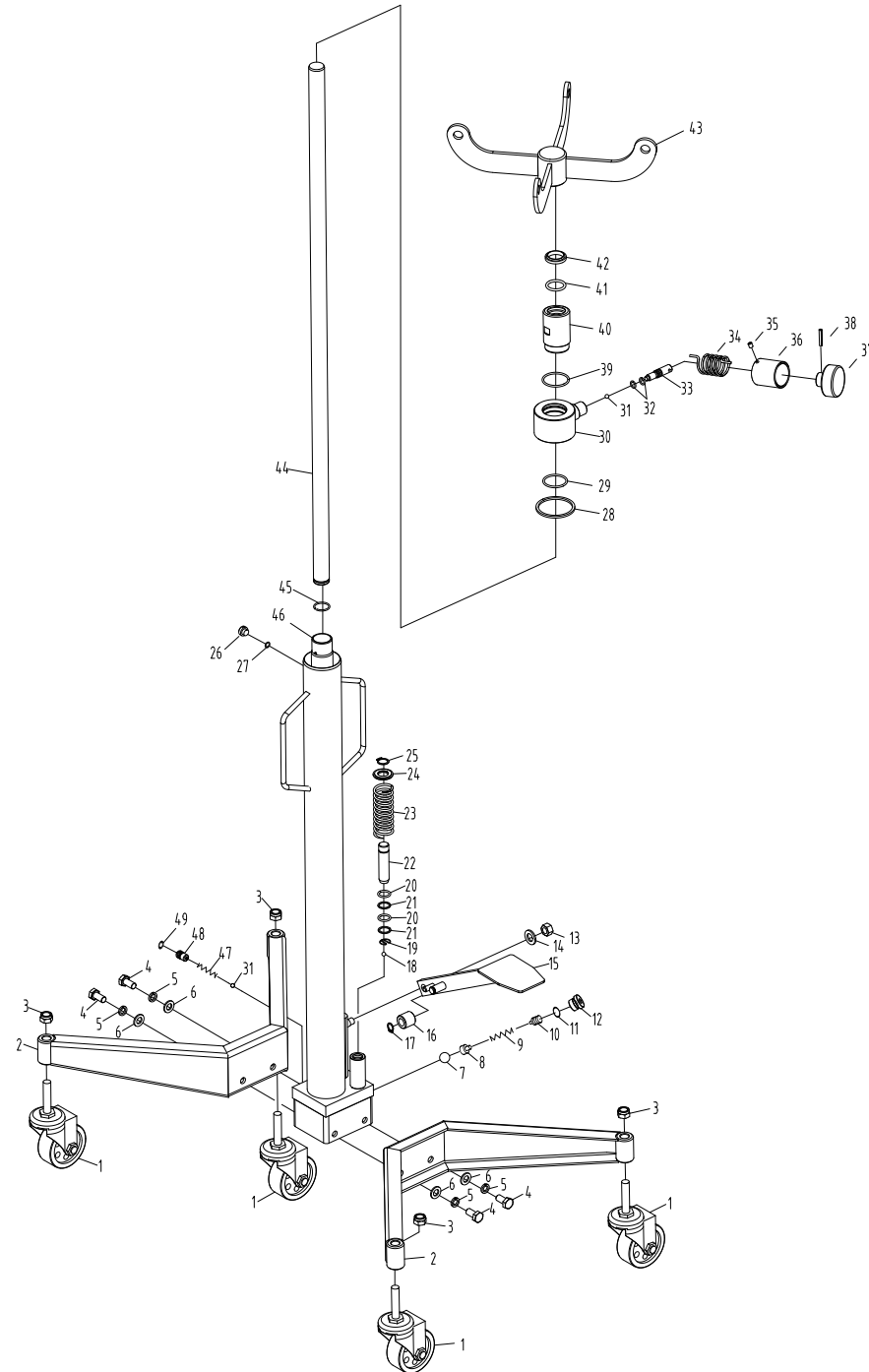


Art. 160.1270

KS TOOLS®



**Art. 160.1270**

Part. No	Art.-Nr.	Beschreibung	Description	Menge Qty.
1	160.1270-R001P	Lenkrolle	Swivel caster	4
2	160.1270-R002P	Halter für Lenkrolle	Leg	2
3	160.1270-R003P	Mutter	Nut	4
4	160.1270-R004P	Schraube	Bot	4
5	160.1270-R005P	Unterlegscheibe	Washer	4
6	160.1270-R006P	Unterlegscheibe	Washer	4
7	160.1270-R007P	Stahlkugel	Steel Ball	1
8	160.1270-R008P	Ventilsitz	Valve Boat	1
9	160.1270-R009P	Feder	Safety valve spring	1
10	160.1270-R010P	Einstellschraube	Adjust screw	1
11	160.1270-R011P	Dichtung	Sealing washer	1
12	160.1270-R012P	Dichtungsschraube	Sealing screw	1
13	160.1270-R013P	Mutter	Nut	1
14	160.1270-R014P	Unterlegscheibe	Washer	1
15	160.1270-R015P	Fusspedal	Foot pedal	1
16	160.1270-R016P	Umlenkrolle	Roller wheel	1
17	160.1270-R017P	Sicherungsring	Gasket ring	1
18	160.1270-R018P	Stahlkugel	Steel Ball	1
19	160.1270-R019P	Stahlplatte	Steel plate	1
20	160.1270-R020P	O-Ring	O-ring	2
21	160.1270-R021P	Nylonring	Nylon Gasket	2
22	160.1270-R022P	Pumpkolben	Pump core	1
23	160.1270-R023P	Pumpfeder	Pressure spring of pump core	1
24	160.1270-R024P	Pumpfederabdeckung	Pressure spring cover	1
25	160.1270-R025P	Sicherungsring	Gasket ring	1

Part. No	Art.-Nr.	Beschreibung	Description	Menge Qty.
26	160.1270-R026P	Schraube	Screw	1
27	160.1270-R027P	O-Ring	O-ring	1
28	160.1270-R028P	Dichtring	Sealing Ring	1
29	160.1270-R029P	O-Ring	O-ring	1
30	160.1270-R030P	Obere Verschraubung	Top cap seat	1
31	160.1270-R031P	Stahlkugel	Steel Ball	1
32	160.1270-R032P	O-Ring	O-ring	2
33	160.1270-R033P	Ablassventil	Oil drain valve stem	1
34	160.1270-R034P	Torsionsfeder	Torsional spring	1
35	160.1270-R035P	Schraube	Screw	1
36	160.1270-R036P	Abdeckung für Torsionsfeder	Torsional spring cover	1
37	160.1270-R037P	Handrad	Handwheel	1
38	160.1270-R038P	Bolzen	Pin	1
39	160.1270-R039P	O-Ring	O-ring	1
40	160.1270-R040P	Endstück	Top cap	1
41	160.1270-R041P	O-Ring	O-ring	1
42	160.1270-R042P	Staubring	Dust-ring	1
43	160.1270-R043P	Aufnahmeteller	Saddle	1
44	160.1270-R044P	Kolbenstange	Piston Rod	1
45	160.1270-R045P	Dichtring	Sealing Ring	1
46	160.1270-R046P	Zylinder	Cylinder	1
47	160.1270-R047P	Hochdruck Feder	High-pressure spring	1
48	160.1270-R048P	Dichtschraube	Sealing screw	1
49	160.1270-R049P	O-Ring	O-ring	1