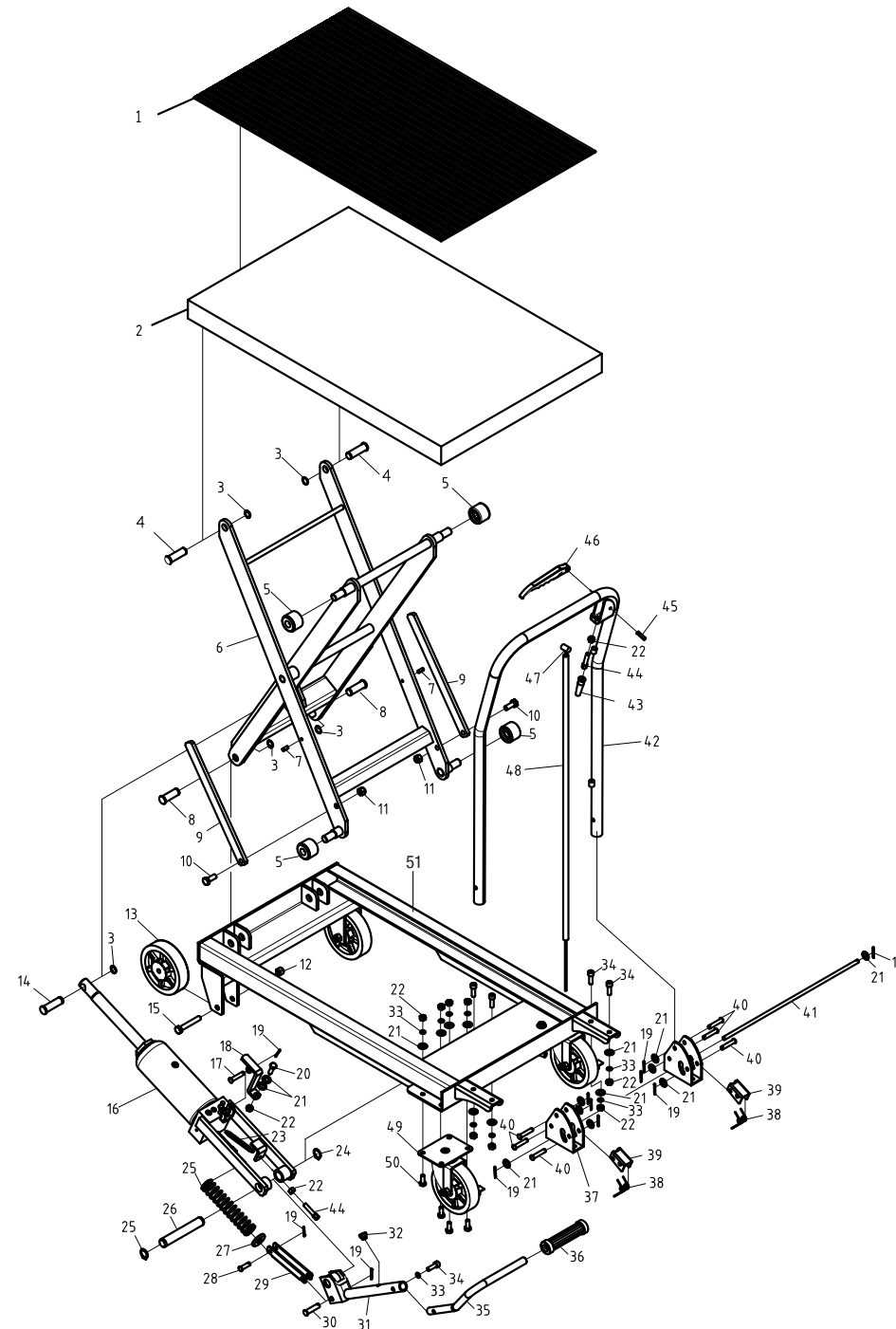


Art. 160.1315

KS TOOLS®



Art. 160.1315

Part. No	Art.-Nr.	Beschreibung	Description	Menge Qty.
1	160.1315-R001P	Gummiteller	Rubber Pad	1
2	160.1315-R002P	Plattform	Platform	1
3	160.1315-R003P	Sicherungsring	Gasket Ring	5
4	160.1315-R004P	Oberer Bolzen	Upper Pin	2
5	160.1315-R005P	Umlenkrolle	Roller	4
6	160.1315-R006P	Stütztraverse	Supporting Arm	1
7	160.1315-R007P	Bolzen	Pin	2
8	160.1315-R008P	Unterer Bolzen	Lower Pin	2
9	160.1315-R009P	Unterstützungsplatte	Supporting Plate	2
10	160.1315-R010P	Bolzen	Bolt	2
11	160.1315-R011P	Mutter	Nut	2
12	160.1315-R012P	Mutter	Nut	2
13	160.1315-R013P	Vordere Rolle	Front Wheel	2
14	160.1315-R014P	Bolzen	Pin	2
15	160.1315-R015P	Bolzen	Bolt	2
16	160.1315-R016P	Hydraulikeinheit	Hydraulic Power Unit	1
17	160.1315-R017P	Bolzen	Pin	1
18	160.1315-R018P	Öl Rücklassbolzen	Oil Return Pusher Assem	1
19	160.1315-R019P	Bolzen	Pin	11
20	160.1315-R020P	Bolzen	Bolt	1
21	160.1315-R021P	Unterlegscheibe	Washer	22
22	160.1315-R022P	Mutter	Nut	15
23	160.1315-R023P	Feder	Spring	1
24	160.1315-R024P	Sicherungsring	Gasket Ring	2
25	160.1315-R025P	Druckfeder	Pressure Spring	1
26	160.1315-R026P	Splint	Pin	1

Part. No	Art.-Nr.	Beschreibung	Description	Menge Qty.
27	160.1315-R027P	Abdeckung für Druckfeder	Pressure Spring Cover	1
28	160.1315-R028P	Bolzen	Pin	1
29	160.1315-R029P	Pumpverbindungsgestänge	Pump Core Connecting Plate	1
30	160.1315-R030P	Splint	Pin	1
31	160.1315-R031P	Aufnahme für Fusspedal	Foot Connection Unit	1
32	160.1315-R032P	Gummipuffer	Bumper Pad	1
33	160.1315-R033P	Unterlegscheibe	Washer	13
34	160.1315-R034P	Bolzen	Bolt	5
35	160.1315-R035P	Fusspedal	Foot Lever Holder	1
36	160.1315-R036P	Gummi für Fusspedal	Foot Cover	1
37	160.1315-R037P	Halter für Handbremse	Hand Bracket	2
38	160.1315-R038P	Torsions Feder	Torsional Spring	2
39	160.1315-R039P	Untere Aufnahme für Handbremsseilzug	Link Stopper	2
40	160.1315-R040P	Bolzen	Pin	6
41	160.1315-R041P	Achse	Axle	1
42	160.1315-R042P	Handgrif	Pushing Handle	1
43	160.1315-R043P	Schutzhülle	Protect Cover	1
44	160.1315-R044P	Bolzen	Bolt	2
45	160.1315-R045P	Splint	Pin	1
46	160.1315-R046P	Handbremsgriff	Pull Handle	1
47	160.1315-R047P	Drahtseil	Steel Wire Rope	1
48	160.1315-R048P	Mantel für Drahtseil	Steel Wire Rope Cover	1
49	160.1315-R049P	Lenkrolle	Rear Wheel	1
50	160.1315-R050P	Bolzen	Bolt	8
51	160.1315-R051P	Rahmen	Base	1