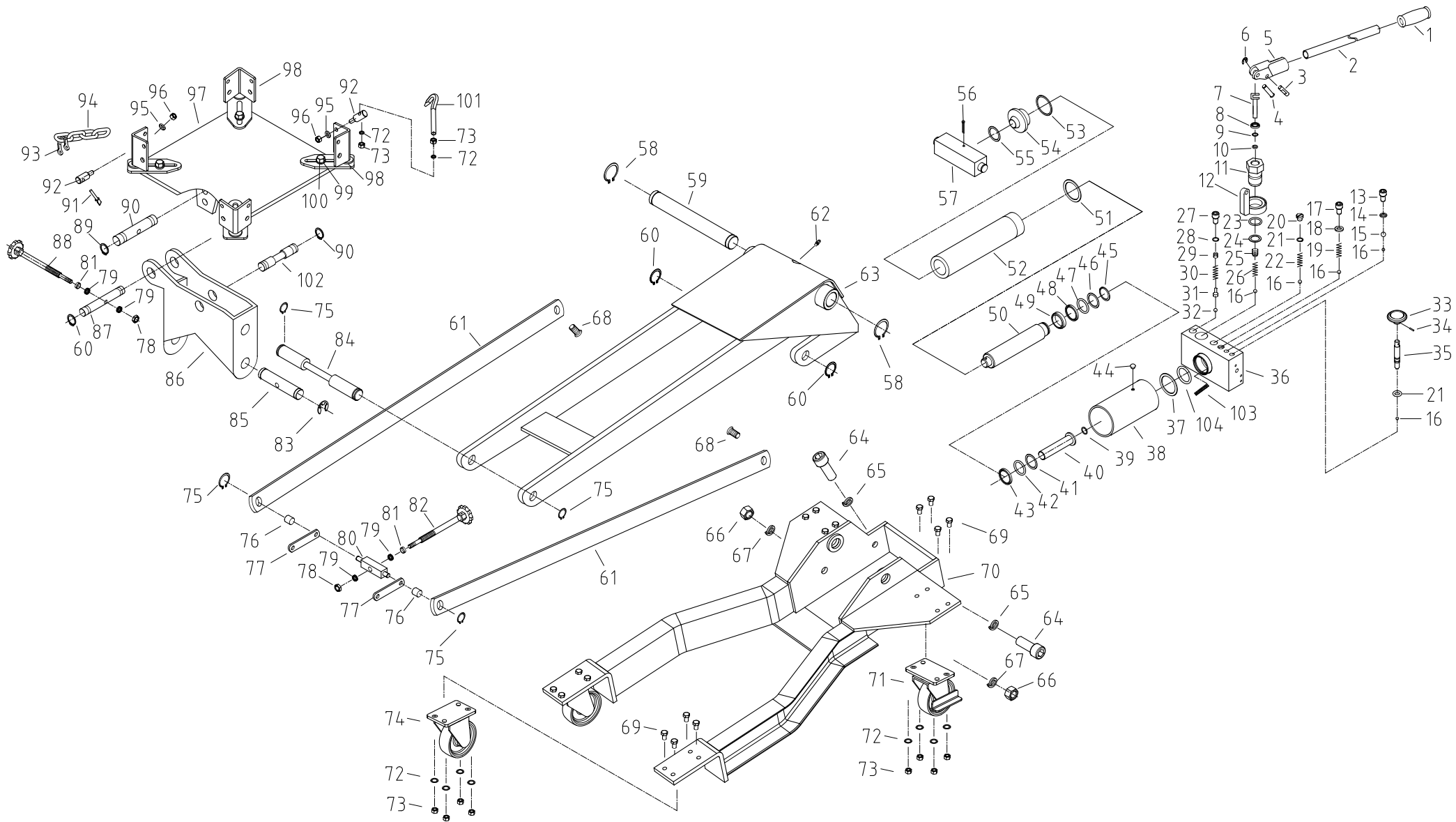


Art. 160.1330



Art. 160.1330


Part. No	Art.-Nr.	Beschreibung	Description	Menge Qty.
1	160.1330-R001P	Gummischutz für Handgriff	Handle sleeve	1
2	160.1330-R002P	Handgriff	Handle	1
3	160.1330-R003P	Bolzen	Pin axle	1
4	160.1330-R004P	Bolzen	Pin	1
5	160.1330-R005P	Lenkstangenaufnahme	Handle socket	1
6	160.1330-R006P	Sicherungsring	Gasket ring	1
7	160.1330-R007P	Pumpkolben	Pump core	1
8	160.1330-R008P	Staubschutz	Dust ring	1
9	160.1330-R009P	Sicherungsring	Gasket ring	1
10	160.1330-R010P	O-Ring	O-ring	1
11	160.1330-R011P	Pumpzylinder	Pump body	1
12	160.1330-R012P	Aufnahme Pumpgestänge	Pump body base	1
13	160.1330-R013P	Schraube	Screw	1
14	160.1330-R014P	Unterlegscheibe	Washer	1
15	160.1330-R015P	Stahlkugel	Steel ball	1
16	160.1330-R016P	Stahlkugel	Steel ball	5
17	160.1330-R017P	Schraube	Screw	1
18	160.1330-R018P	Unterlegscheibe	Washer	1
19	160.1330-R019P	Feder	Spring	1
20	160.1330-R020P	Schraube	Screw	1
21	160.1330-R021P	O-Ring	O-ring	2
22	160.1330-R022P	Feder	Spring	1
23	160.1330-R023P	O-Ring	O-ring	1
24	160.1330-R024P	Kupferdichtring	Cooper washer	1
25	160.1330-R025P	Schraube	Screw	1
26	160.1330-R026P	Feder	Spring	1
27	160.1330-R027P	Schraube	Screw	1
28	160.1330-R028P	O-Ring	O-ring	1
29	160.1330-R029P	Schraube	Screw	1
30	160.1330-R030P	Feder	Spring	1
31	160.1330-R031P	Ventilsitz	Ball valve seat	1
32	160.1330-R032P	Stahlkugel	Steel ball	1
33	160.1330-R033P	Handgriff	Handle	1
34	160.1330-R034P	Bolzen	Pin	1
35	160.1330-R035P	Ablassventil	Drain valve stem	1
36	160.1330-R036P	Ventilblock für Hydraulikeinheit	Valve body assembly	1
37	160.1330-R037P	Dichtungring	Seal ring	1
38	160.1330-R038P	Zylinder	Coat	1

Part. No	Art.-Nr.	Beschreibung	Description	Menge Qty.
39	160.1330-R039P	O-Ring	O-ring	1
40	160.1330-R040P	Hubkolben	Piston rod	1
41	160.1330-R041P	Sicherungsring	Gasket ring	1
42	160.1330-R042P	Dichtungring	Seal ring	1
43	160.1330-R043P	Y-Ring	Y-ring	1
44	160.1330-R044P	Öl Einfüllschraube	Oil plug	1
45	160.1330-R045P	Sicherungsring	Gasket ring	1
46	160.1330-R046P	Unterlegscheibe	Washer	1
47	160.1330-R047P	O-Ring	O-ring	1
48	160.1330-R048P	Unterlegscheibe	Washer	1
49	160.1330-R049P	Kolbenring	Pistong ring	1
50	160.1330-R050P	Hubkolben	Piston rod	1
51	160.1330-R051P	O-Ring	O-ring	1
52	160.1330-R052P	Zylinder	Cylinder	1
53	160.1330-R053P	Dichtungring	Seal ring	1
54	160.1330-R054P	Kolbenabdeckung	Top cat	1
55	160.1330-R055P	O-Ring	O-ring	1
56	160.1330-R056P	Bolzen	Pin	1
57	160.1330-R057P	Standstrebe	Connection rod	1
58	160.1330-R058P	Sicherungsring	Gasket ring	2
59	160.1330-R059P	Hubarmachse	lifting arm axle	1
60	160.1330-R060P	Sicherungsring	Gasket ring	4
61	160.1330-R061P	Verbindungsstrebe	Long connecting rod	2
62	160.1330-R062P	Schmiernippel	Oil nozzle	1
63	160.1330-R063P	Hubarm	Lifting arm	1
64	160.1330-R064P	Bolzen	Bolt	2
65	160.1330-R065P	Unterlegscheibe	Washer	2
66	160.1330-R066P	Mutter	Nut	2
67	160.1330-R067P	Unterlegscheibe	Washer	2
68	160.1330-R068P	Bolzen	Pin	2
69	160.1330-R069P	Bolzen	Bolt	16
70	160.1330-R070P	Rahmen	Frame	1
71	160.1330-R071P	Lenkrolle	Universal wheel 3.5"	2
72	160.1330-R072P	Unterlegscheibe	Washer	20
73	160.1330-R073P	Mutter	Nut	20
74	160.1330-R074P	Rolle	Universal wheel 3.5"	2
75	160.1330-R075P	Sicherungsring	Gasket ring	4
76	160.1330-R076P	Buchse	Axle sleeve	2

Art. 160.1330

Part. No	Art.-Nr.	Beschreibung	Description	Menge Qty.
77	160.1330-R077P	Standstrebe	Connection rod	2
78	160.1330-R078P	Mutter	Nut	2
79	160.1330-R079P	Kugellager	Plane bearing	4
80	160.1330-R080P	Standstrebenverbindungsachse	Long connecting rod axle	1
81	160.1330-R081P	Unterlegscheibe	Washer	2
82	160.1330-R082P	Handrad	Handle wheel assembly	1
83	160.1330-R083P	Sicherungsring	Gasket ring	2
84	160.1330-R084P	Achse	Axis of rotation	1
85	160.1330-R085P	Achse	Nut shaft	1
86	160.1330-R086P	Pumpgestänge	Adjusting seat	1
87	160.1330-R087P	Achse	Nut shaft	1
88	160.1330-R088P	Handrad	Handle wheel assembly	1
89	160.1330-R089P	Sicherungsring	Gasket ring	4
90	160.1330-R090P	Einstellwelle	Adjusting shaft	1
91	160.1330-R091P	Bolzen	Bolt	2
92	160.1330-R092P	Schraube	Screw	4
93	160.1330-R093P	Hebeöse	Lifting lug	2
94	160.1330-R094P	Kette	Chain	2
95	160.1330-R095P	Unterlegscheibe	Washer	4
96	160.1330-R096P	Mutter	Nut	4
97	160.1330-R097P	Aufnahmeplatte	Pallet base	1
98	160.1330-R098P	Aufnahme	Clamping unit	4
99	160.1330-R099P	Unterlegscheibe	Washer	4
100	160.1330-R100P	Bolzen	Bolt	4
101	160.1330-R101P	Haken	Lifting hook	2
102	160.1330-R102P	Achse	Axis of rotation	1
103	160.1330-R103P	Sieb	Strainer	1
104	160.1330-R104P	Dichtungsring	Seal ring	1