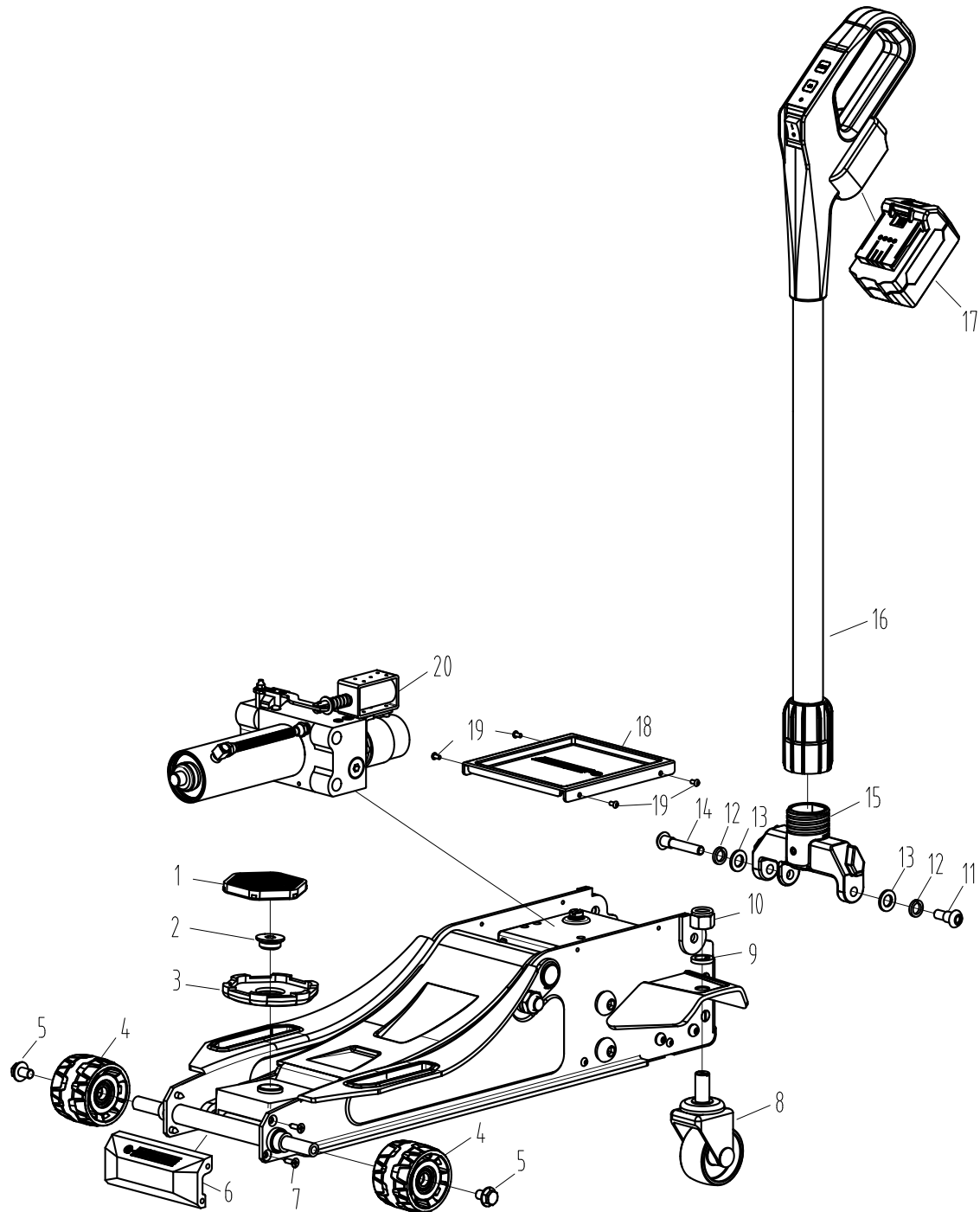


Art. 160.2015

KS TOOLS®



Part. No	Art.-Nr.	Beschreibung	Description	Menge Qty.
1	160.2000-R001P	Gummiteller	Rubber Pad	1
2	160.2000-R002P	Schraube	Screw	1
3	160.2000-R003P	Aufnahmeteller	Saddle	1
4	160.2010-R001P	Vordere Rolle	Front wheel	2
5	160.2000-R004P	Schraube	Screw	2
6	160.2015-R001P	Vordere Abdeckung	Front cover	1
7	160.2010-R003P	Schraube	Screw	4
8	160.2010-R004P	Hintere Rolle	Rear Wheel	2
9	160.2010-R016P	Unterlegscheibe	Washer	2
10	160.2010-R005P	Mutter	Nut	2
11	160.2000-R010P	Schraube	Screw	1
12	160.2000-R011P	Unterlegscheibe	Washer	2

Part. No	Art.-Nr.	Beschreibung	Description	Menge Qty.
13	160.2000-R012P	Unterlegscheibe	Washer	2
14	160.2010-R006P	Schraube	Screw	1
15	160.2010-R007P	Lenkstangenaufnahme	Handle Yoke	1
16	160.2010-R013P	Bedienelement	Handle Assembly	1
17	515.6004	Akku	Battery	1
18	160.2015-R002P	Abdeckung Hydraulikeinheit	Pump Unit cover	1
19	160.2000-R021P	Schraube	Screw	4
20	160.2015-R003P	Hydraulikeinheit	Pump Unit	1