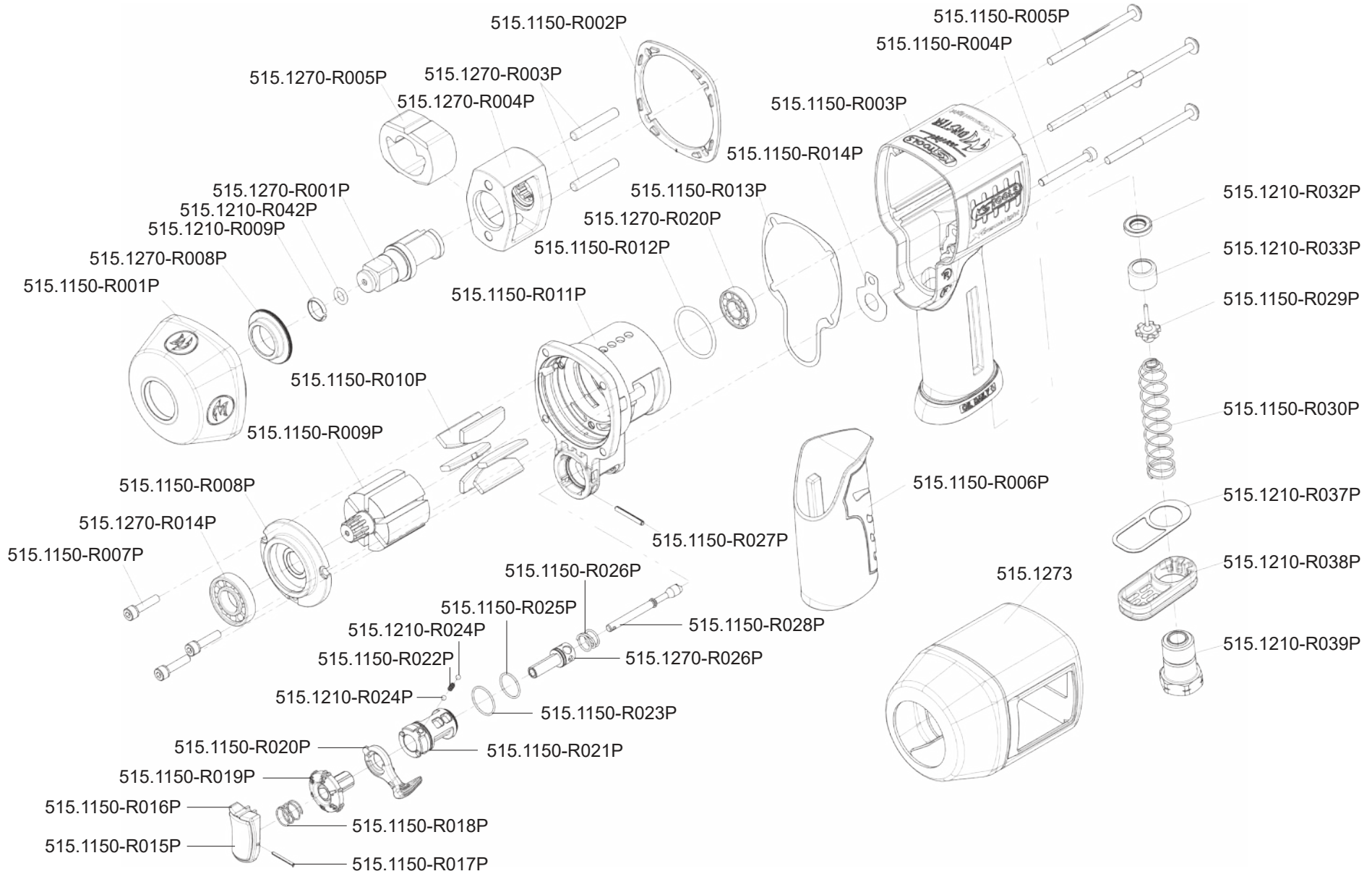


Art. 515.1150



Art. 515.1150

Art.-Nr.	Description	Beschreibung	Menge Qty.
515.1150-R001P	Hammer case	Hammergehäuse	1
515.1150-R002P	Hammer case gasket	Gehäusedichtung	1
515.1150-R003P	Housing	Gehäuse	1
515.1150-R004P	Hexagon screw for housing	Gehäuse-Innen6kantschraube	1
515.1150-R005P	Half round hex head bolt	Gewindebolzen (Halbrund)	4
515.1150-R006P	Rubber handle	Griffgummierung	1
515.1150-R007P	Hexagon screw	Innen6kantschraube	3
515.1150-R008P	Front bearing plate	Vodere Kugellagerplatte	1
515.1150-R009P	Rotor	Rotor	1
515.1150-R010P	Rotor blade	Rotorblatt	6
515.1150-R011P	Rotor housing	Rotorgehäuse	1
515.1150-R012P	O-Ring	O-Ring	1
515.1150-R013P	Washer	Gehäusedichtung	1
515.1150-R014P	Trigger gasket	Schalterdichtung	1
515.1150-R015P	Trigger	Betriebsschalter	1
515.1150-R016P	Trigger mounting	Betriebsschaleraufnahme	1
515.1150-R017P	Spring pin	Splint	1
515.1150-R018P	Spring	Betriebsschalterfeder	1
515.1150-R019P	Regulator	Drehmomentvorwahl	1
515.1150-R020P	Lever	Umschalter	1
515.1150-R021P	Reverse Valve	Umschalventil	1
515.1150-R022P	Positioning spring	Positionierungsfeder	1
515.1150-R023P	O-Ring	O-Ring	1

Art.-Nr.	Description	Beschreibung	Menge Qty.
515.1150-R024P	O-Ring	O-Ring	1
515.1150-R025P	Air regulator	Luftregulierung	1
515.1150-R026P	Spring	Feder	1
515.1150-R027P	Spring pin	Splint	1
515.1150-R028P	Trigger pin	Betätigungsstift	1
515.1150-R029P	Valve stem	Ventilstift	1
515.1150-R030P	Valve spring	Ventilfeder	1
515.1210-R009P	Spring washer	Stecknusshaltering	1
515.1210-R024P	Ball	Stahlkugel	2
515.1210-R032P	Seal	Dichtungsring	1
515.1210-R033P	Insert bushing	Hülse	1
515.1210-R037P	Gasket	Abluftdichtung	1
515.1210-R038P	Deflector	Abluftdeflektor	1
515.1210-R039P	Air inlet	Lufteinlassschraube	1
515.1210-R042P	Socket retainer	O-Ring für Antriebs 4kant	1
515.1270-R001P	Anvil	Amboss	1
515.1270-R003P	Hammer pin	Hammerstift	2
515.1270-R004P	Hammer frame	Hammerahmen	1
515.1270-R005P	Hammer	Hammer	1
515.1270-R008P	Hammer case bushing	Hammerbuchsengehäuse	1
515.1270-R014P	Bearing	Offenes Kugellager	1
515.1270-R020P	Bearing	Lager	1
515.1270-R026P	O-ring	O-Ring	1