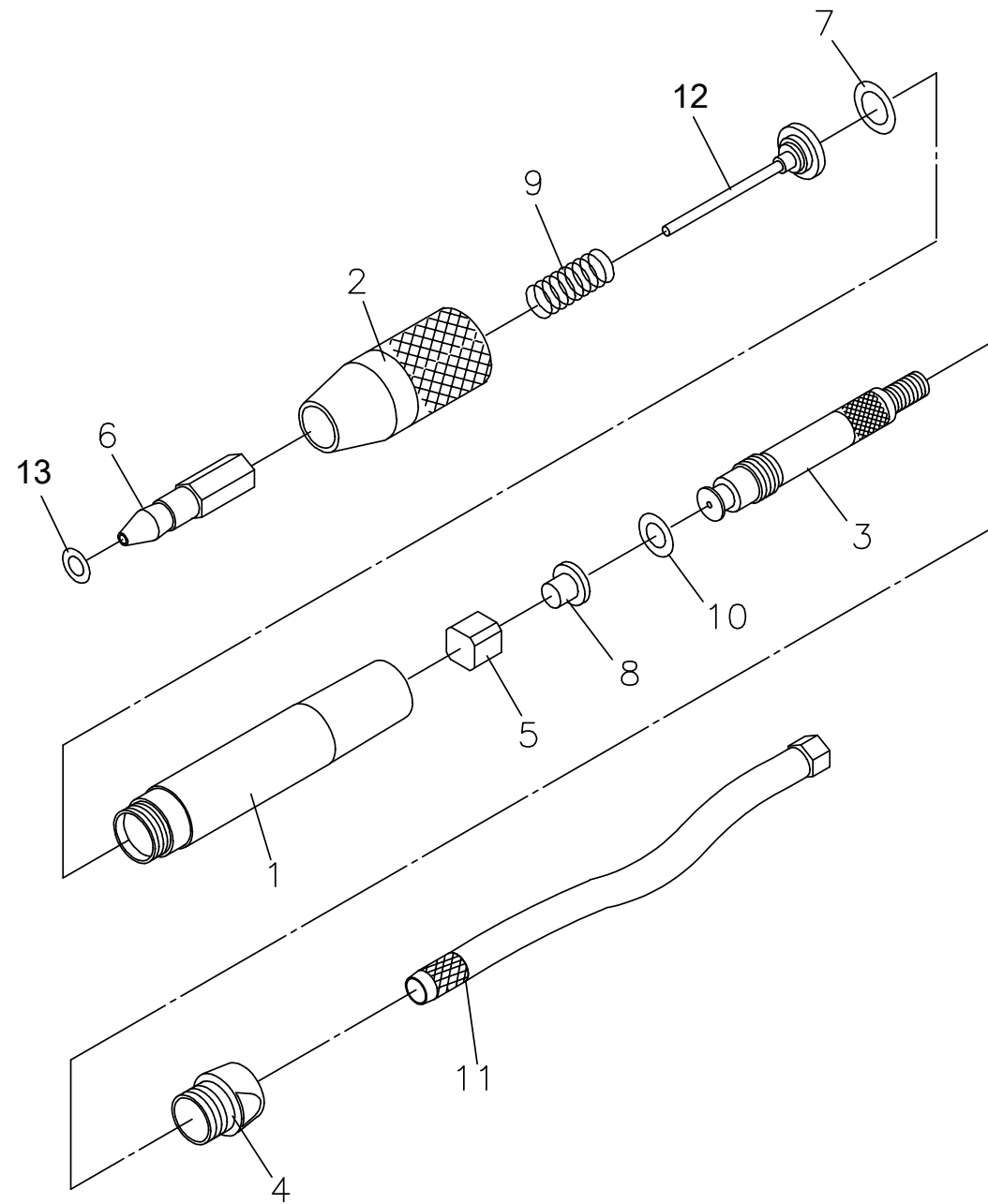


Art. 515.3196



Art. 515.3196



Part. No	Art.-Nr.	Beschreibung	Description	Menge Qty.
1	515.3196-R001P	Hauptkörper	Main body	1
2	515.3196-R002P	Frontabdeckung	Front cover	1
3	515.3196-R003P	Luftventil	Air valve	1
4	515.3196-R004P	Hintere Basis	Rear base	1
5	515.3196-R005P	Messingbasis	Brass base	1
6	515.3196-R006P	Spitzengehäuse	Tip house	1
7	515.3196-R007P	O-Ring	O-ring	1
8	515.3196-R008P	Luftstrombegrenzungsstopfen	Airflow restrictor plug	1
9	515.3196-R009P	Feder	Spring	1
10	515.3196-R010P	O-Ring	O-ring	1
11	515.3196-R011P	Schlauch	Hose	1
12	515.3196-R012P	Gravierspitze	Engarving Tip	1
13	515.3196-R013P	O-Ring	O-ring	1